

# ZOOMLION TECHNOLOGY WITH INGENUITY AND CARE



## The world's leading excavator intelligent manufacturing factory

Zoomlion Smart City Earthmoving Machinery Park is an industry-leading intelligent and flexible excavator factory. From a piece of steel plate to an excavator, with high-precision welding process, highly reliable assembly process, high-level coating process and strict quality control, each excavator is delivered with ultimate quality.

# ZOOMLION 15-TONNAGE CRAWLER HYDRAULIC EXCAVATOR

ZE145GU



ZOOMLION

Zoomlion Heavy Industry Science & Technology Co.,Ltd.

Add: No.361, South Yinpen Road, Changsha, Hunan Province, P.R.China 410013      Email: earthmoving@zoomlion.com  
Copyright©2025 Zoomlion. All rights reserved. Reproduction and copying of any part of contents is not allowed for any purposes without Zoomlion's approval.  
Note: Materials and specifications are subject to change without notice. Featured machines in photos may include additional equipment.



ZOOMLION



ENGINE POWER:  
**90 kW @ 2200 rpm**

OPERATING WEIGHT:  
**15800 kg**

BUCKET CAPACITY RANGE:  
**0.1-0.6 m<sup>3</sup>**

# SAFE AND COMFORTABLE



The new generation of G series cab is spacious and bright, with a large area of reinforced glass, and the glass transmittance is increased by more than 11%; Standard ROPS certified cab for greater safety.



Cup holder



Storage box



Cigarette lighter



AUX port



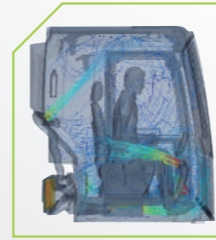
Push start



Large size touch screen



The 135mm large-stroke suspension seat is suitable for drivers of different heights.



High power air conditioner with optimized air duct.



right



left



The rear view is clearly visible on the monitor thanks to the rear-view camera as standard feature. Travel operation is easier and safer.

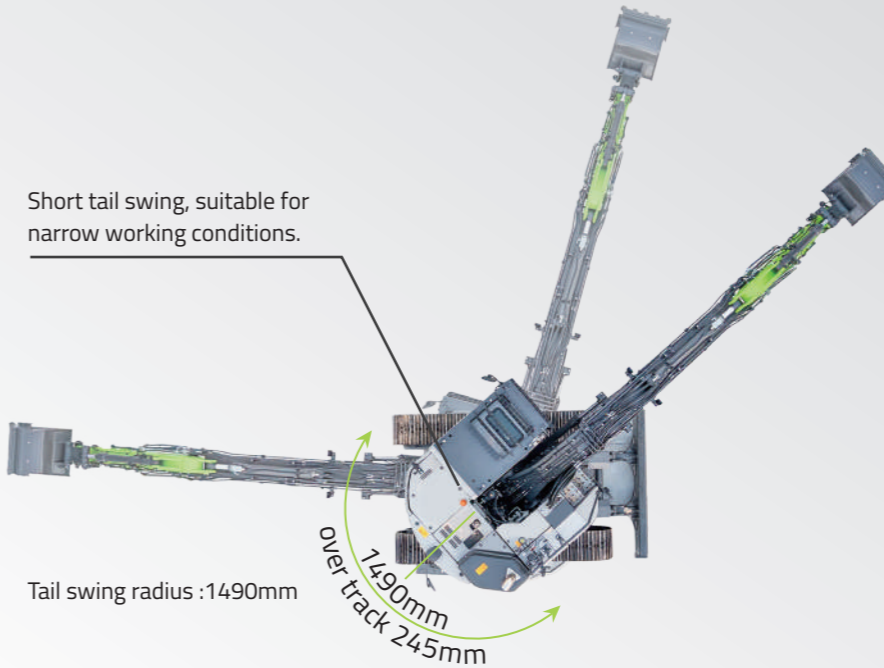


front



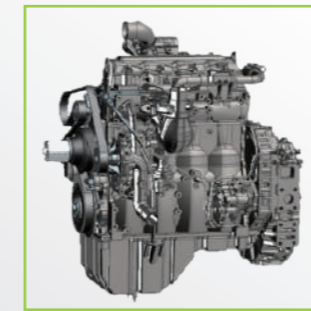
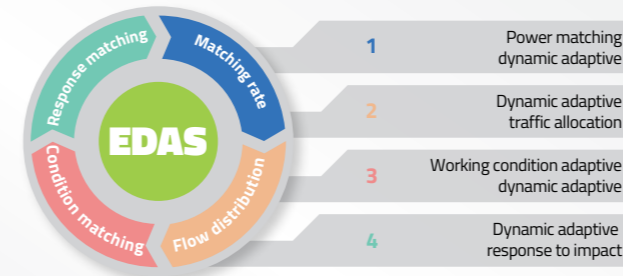
behind

# ENERGY SAVING AND EFFICIENT



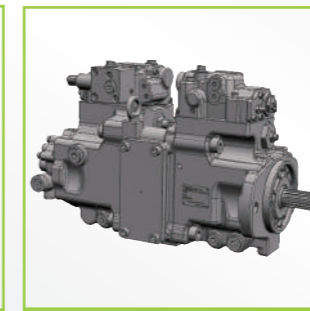
Short tail swing, suitable for narrow working conditions.

It combines multiple functions in one, offering you extraordinary versatility. The front-end fittings can be replaced quickly to meet the construction requirements of different scenarios.



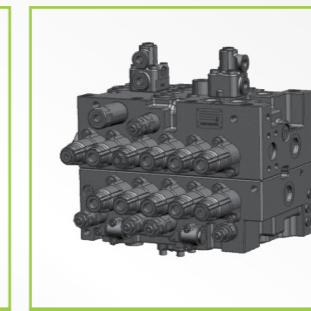
High power engine

Loading control technology



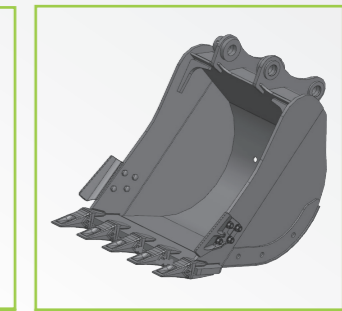
Large displacement pump

Dual pump power control technology



Large flow diameter main control valve

Load abrupt change technology



Large capacity bucket

Heavy-duty power boost technology

By using the self-developed full electronic control system, combined with the dual-pump power control technology and crushing constant-flow control technology, throttling loss can be reduced, accurate control can be achieved, fuel consumption can be lowered, thus the machine's maneuverability and fuel efficiency are improved.

# RELIABLE AND DURABLE



Customized Cummins F3.8 engine with rated power (90kW), features high torque and strong power. By applying the high-pressure common-rail fuel injection system and the customized universal characteristic curve, it realizes more complete combustion and lower fuel consumption.



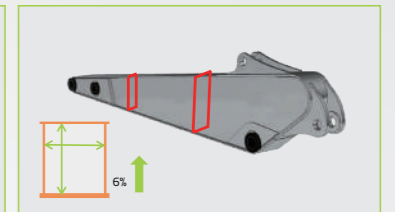
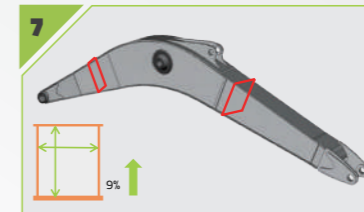
It's easy to fill the DEF tank, which is placed in the toolbox.



The track roller is used as carrier roller. The service life of the track roller is longer with higher bending and torsional resistance since it's supported on both sides. The track derailment is avoided more effectively.



Engine fuel filters, oil filter, air cleaner, hydraulic oil pilot filter and A/C filter are easily accessible at ground level, achieving "one-stop" maintenance on the ground.



The boom and arm are designed with large cross section. The overall cross section of the boom and arm is increased by 9% and 6% respectively. The stress bearing capacity is greater with larger cross section;

## Robot welding



Advanced welding process helps to improve the quality of structural components.



# VERSATILE



Standard high efficient reinforced bucket of 0.6m<sup>3</sup> capacity; Loading efficiency is high because soil is hardly stuck on it; durable with enhanced design;



The optional 0.55m<sup>3</sup> rock bucket is powerful during digging by greatly reducing the cutting resistance of bucket teeth; The bucket is more durable by reducing the wear and impact of the rock on the bottom of the bucket. The stability of the machine is improved, thus the operation is more comfortable.



The dedicated buckets for trenching are optional, which can get twice the result with half the effort in the applications like trenching and pipeline laying.

Bucket type	Capacity (m <sup>3</sup> )	Applicable material density (kg/m <sup>3</sup> )	Advice for choice
Reinforced bucket	0.6	1500	Digging light or loose materials
Rock bucket	0.55	1800	High abrasion applications like quarry or rock
Trenching bucket	0.34	1500	Digging trenches of 600mm wide
Trenching bucket	0.1	1500	Digging trenches of 300mm wide

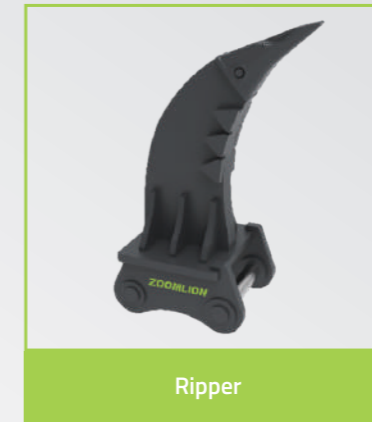
# ATTACHMENTS

Excavators can be used for different functions by installing different attachments, further improving efficiency.

Better stability and performance can be achieved by installing Zoomlion attachments. Attachments can be easily replaced by using Zoomlion quick coupler.



Top-mount hammer



Ripper



Dual-cylinder Hydraulic Shear (Concrete)



Dual-cylinder Hydraulic Shear (Scrap Steel)



Pulverizer



Timber (Stone) grab



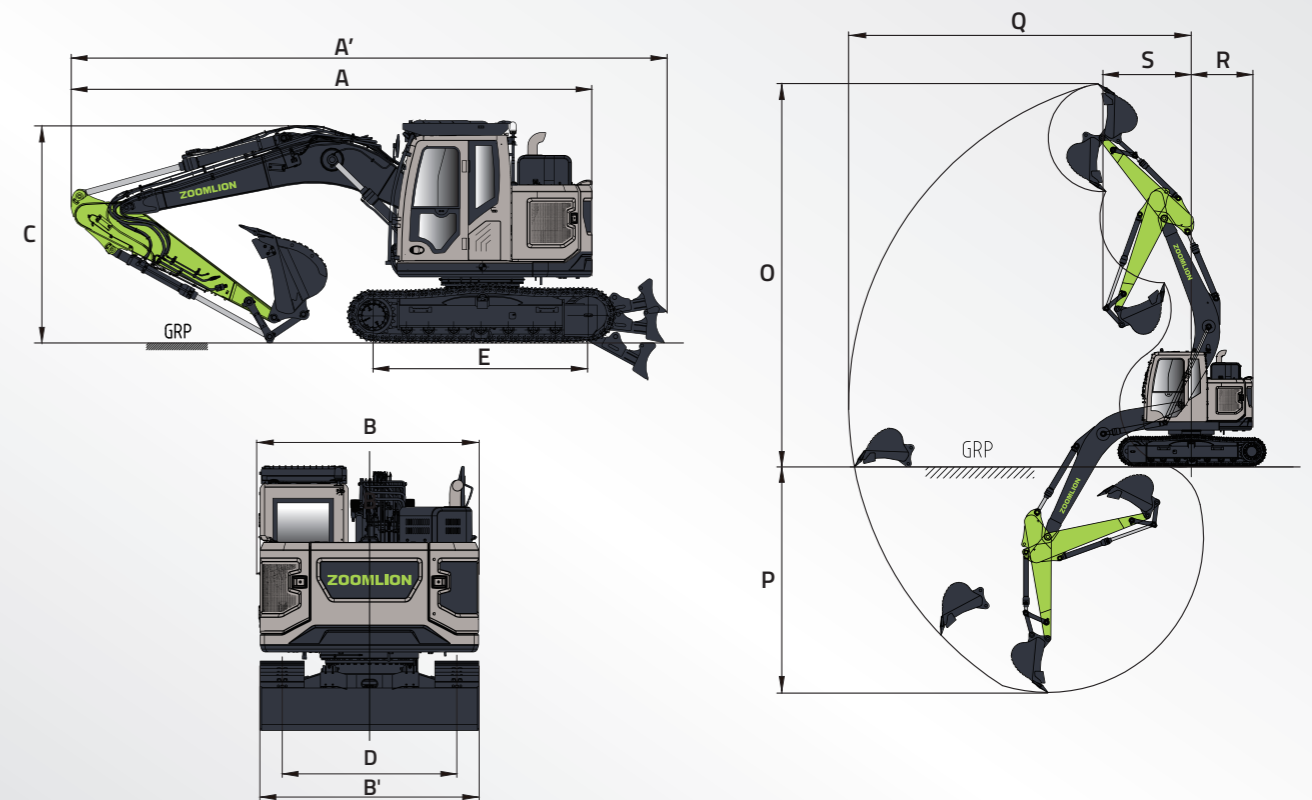
Tilt bucket

Please contact with ZOOMLION for more available attachments.

# TECHNICAL SPECIFICATIONS

	ZE145GU
<b>ENGINE</b>	
Brand	Cummins
Model	F3.8
Rated power	90 kW @ 2200 rpm
Displacement	3.8 L
Emission standard	EPA T4F / EU Stage V
<b>HYDRAULIC SYSTEM</b>	
Main pump	Two variable displacement piston pumps Maximum flow: 2x127.5 L/min
Pilot pump	One gear pump Maximum flow: 17 L/min
Maximum pressure - Equipment	34.3 MPa
Maximum pressure - Swing	25 MPa
Maximum pressure - Travel	34.3 MPa
Maximum pressure - Boost	37 MPa
Maximum pressure - Pilot system	3.9 MPa
<b>UPPER FRAME</b>	
Maximum swing speed	12 r/min
Maximum swing torque	39 kN-m
<b>UNDERCARRIAGE</b>	
Number of carrier rollers (each side)	1(Two sides supported track rollers)
Number of track rollers (each side)	7
Number of idlers (each side)	1
Travel speed (high)	5.4 km/h
Travel speed (low)	3.0 km/h
Maximum drawbar pull	130 kN
Gradeability	70 %
<b>SERVICE REFILL CAPACITIES</b>	
Fuel tank	200 L
Engine coolant	27 L
Engine oil	12 L
Swing drive	1.8 L
Final drive (each side)	2.2 L
Hydraulic system	130 L
Hydraulic tank	145 L
<b>WORK EQUIPMENT</b>	
Boom length	4600 mm
Arm length	2500 mm
Bucket digging force	108 kN
Arm digging force	69 kN

	ZE145GU
<b>OVERALL DIMENSIONS</b>	
A Overall length (To counterweight)	7395 mm
A' Overall length (To dozer)	8110mm
B Overall width (including handrail)	2500 mm
B' Overall width (Track)	2490 mm
C Overall height	2955 mm
D Track gauge	1990 mm
E Length of track on ground	2920 mm
<b>WORKING RANGE</b>	
O Maximum digging height	9390 mm
P Maximum digging depth	5505 mm
Q Maximum digging reach	8410 mm
R Tail swing radius	1490 mm
S Front minimum swing radius	2165 mm

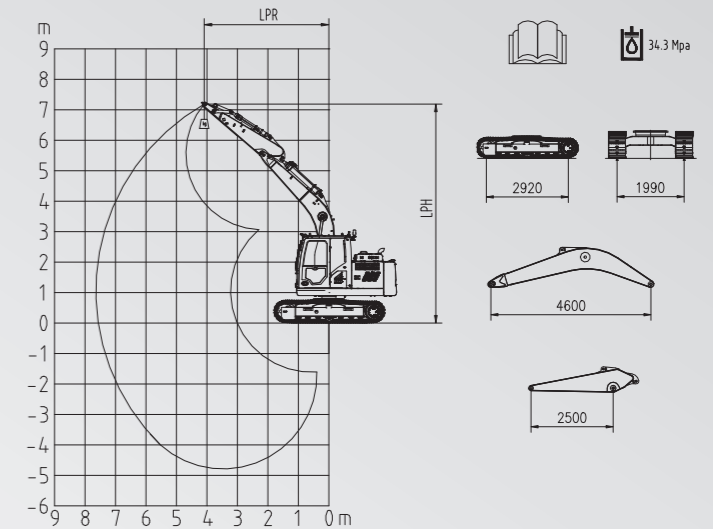


# STANDARD & OPTIONAL FEATURES

Category	Features	ZE145GU
<b>Powertrain</b>	Air cleaner	●
<b>Hydraulic system</b>	Attachments plumbing	●
	Quick coupler plumbing	●
	Boom cylinder hose burst valve	●
	Arm cylinder hose burst valve	●
<b>Cab</b>	ROPS	●
	Mesh guard	○
	Skeleton guard	○
	Fire extinguisher	●
	Air suspension seat	●
	Sunshade curtain	○
	Air conditioner	●
	Multifunctional joystick	●
<b>Undercarriage</b>	500mm rubber track pad	○
	500mm track	●
	600mm track	○
	700mm track	○
<b>Electrical system</b>	Dozer blade	●
	Acousto-optic alarm	●
	Emergency stop	●
	12V DC outlets	●
	Rear view camera	●
	Cab front light	● 2 pcs
	Boom light	● 2 pcs
	Upper frame light	● 1 pc
	Refueling pump	●
	GPS	●
	Am/Fm radio	●
	Right view camera and light	●
	Counterweight light	●
	Cab rear light	●
	<b>Others</b>	Cab rear mirror
Handrail rear mirror		● 1 pc

● Standard      ○ Optional

# LIFT CAPACITY



Do not attempt to lift or hold any load that is greater than these rated values at their specified lift-point radius and height.

The lift point is located at the centreline of the bucket pivot mounting pin on the arm.

LPH	Rated lift capacity (kg)												Lift capacity at maximum radius
	LPR												
	1.5m		3.0m		4.5m		6.0m		6.0m		End	Side	
m	End	Side	End	Side	End	Side	End	Side	End	Side			
6.0m							*3390	*3390			*2504	*2504	5.41
4.0m					*4541	*4541	*4024	*4024	3144	2138	*2318	1791	6.62
3.0m					*6175	*6175	*4762	3949	3082	2081	*2340	1627	6.93
2.0m							*5556	3707	3004	2010	*2307	1537	7.07
1.0m							5523	3507	2929	1941	2276	1507	7.07
0m					*6778	5196	5373	3377	2870	1887	2325	1533	6.92
-1.0m			*5036	*5036	*8479	5170	5303	3317	2837	1858	2474	1627	6.61
-2.0m	*6579	*6579	*7520	*7520	*7709	5189	5298	3314	2850	1868	2778	1824	6.12
-3.0m	*9281	*9281	*8601	*8601	*6525	5302	*5068	*3361			*3372	2212	5.39

Capacities marked with an asterisk (\*) are limited by hydraulic capacities. See Note 2.

- The mass of slings and any auxiliary lifting devices shall be deducted from the rated load to determine the net load that may be lifted.
- Lift capacities are based on the machine standing on a firm, uniform supporting surface. The user shall make allowances for job conditions such as soft or uneven ground.
- The operator should be fully acquainted with the Operator's Manual and the Operating Safety Manual furnished by the manufacturer before operating the machine.
- NOTE 1 Lift capacities shown are without the power boost feature engaged.
- NOTE 2 Lift capacities shown do not exceed 75% of minimum tipping loads or 87% of hydraulic capacities.
- NOTE 3 The least stable position is over the side.
- NOTE 4 Lift capacities apply only to the machine as originally manufactured and normally equipped by the manufacturer.
- NOTE 5 The total mass of the machine is 15800kg. Included in this mass are 500mm triple grouser shoes, 4.6m boom, 2.5m arm, 2000kg counterweight, all operating fluids and a 75kg operator.
- NOTE 6 Lift capacities are in compliance with ISO 10567:2007.

**VISION  
CREATES  
FUTURE**

