

CRAWLER EXCAVATOR ZE500G

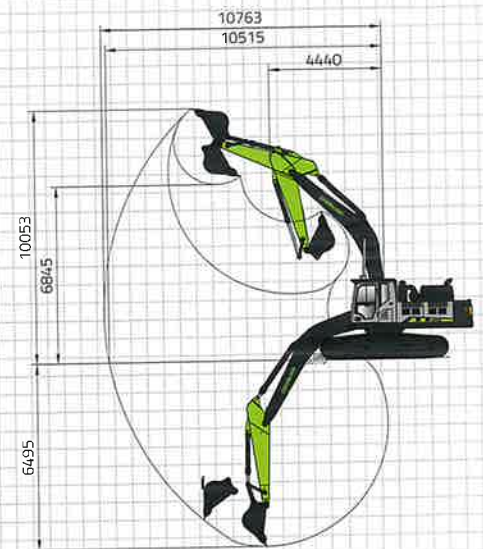
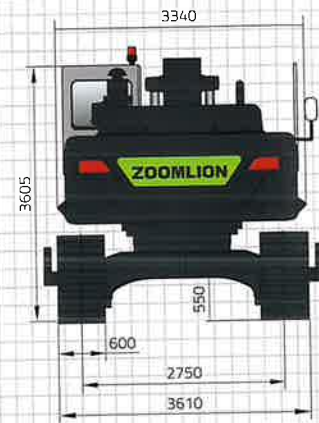
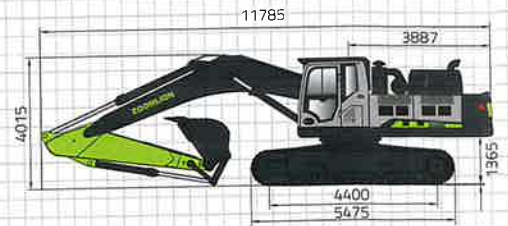


ZOOMLION

CRAWLER EXCAVATOR

ZE500G

	Items	ZE500G
Basic Technical Data	Operating Weight	51000 kg
	Standard Bucket Capacity (Range)	HD 2.65 m ³ (2.65 m ³ - 3.3 m ³)
	Slewing Speed	9.2 r/min
	Traveling Speed (high/low)	5.5/3.3 km/h
	Max. Drawbar Pull	404 kN
	Digging Force of Bucket	329 kN
	Digging Force of Stick	303 kN
Engine	Engine Manufacturer	CUMMINS
	Engine Model	X12
	Rated Power	298 kw / 2100 rpm
	Displacement	11.8 L
	Emission Standard	EU Stage V / Tier 4F
Dimensions	Length	11785 mm
	Width	3610 mm
	Height	4015 mm
	Boom Length	6500 mm
	Stick Length	2550 mm
	Tail Slewing Radius	3887 mm
	Track Gauge	2750 mm
	Length of Track on Ground	4400 mm
Operating Range	Max. Digging Reach	10763 mm
	Max. Digging Reach at Ground Level	10515 mm
	Max. Digging Depth	6495 mm
	Max. Digging Height	10053 mm
	Max. Dumping Height	6845 mm



ZOOMLION

Zoomlion Heavy Industry Science & Technology Co.,Ltd.

Add: No.361, South Yinpen Road, Changsha, Hunan Province, P.R.China 410013

Email: earthmoving@zoomlion.com

Copyright © 2025 Zoomlion. All rights reserved. Reproduction and copying of any part of contents is not allowed for any purposes without Zoomlion's approval. Note: Materials and specifications are subject to change without notice. Featured machines in photos may include additional equipment.

